

GENERAL PURPOSE ETX[®] BASEBOARD WITH TOUCH SCREEN CTRL AND MINI PCI

DESCRIPTION

The M682R is a compact baseboard designed to be a solution for the use of ETX[®] modules. With the Mini PCI socket soldered on board it is also suitable for applications that require Wi-Fi connections. Moreover the board integrates a touch screen controller for 4 wires. The very small dimensions of its are also the main characteristic that enables the use in a wide range of products of ETX[®] CPU modules.

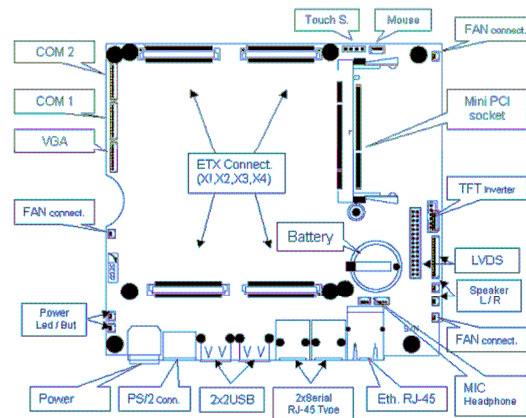
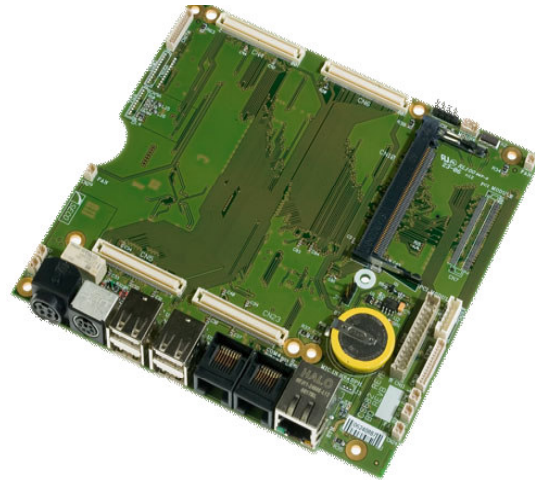


Fig.3.1 - Top-view

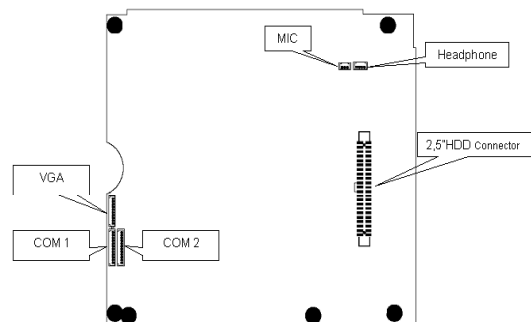


Fig.3.2 - Bottom-view

TECHNICAL SPECIFICATIONS

ON BOARD CONNECTORS:

- 2 x LVDS Connectors
- Connector for optional Touch Screen CTRL
- Connector for eventual TFT inverter
- 2 x Connectors for 12 VCD fan
- Connector for VGA
- 2 x Serial Connectors
- 2.5" HDD Connector
- Mini PCI socket
- Audio: 2 x Speaker Ports; Mic In; Headphone

FRONT PANEL CONNECTORS:

- PS/2 Mouse and Keyboard Connector
- 4 x USB Connectors
- Ethernet RJ-45 Port
- LPT DB25 Parallel Port Connector
- Power Supply Connector
- Dimensions: 150 x 140 mm (5.9" x 5.5")

ORDERING INFORMATION

Part Number	Description
M682-1A	ETX [®] Baseboard w/ Touch Screen Controller and Mini PCI socket