

GENERAL PURPOSE ETX BASEBOARD

DESCRIPTION

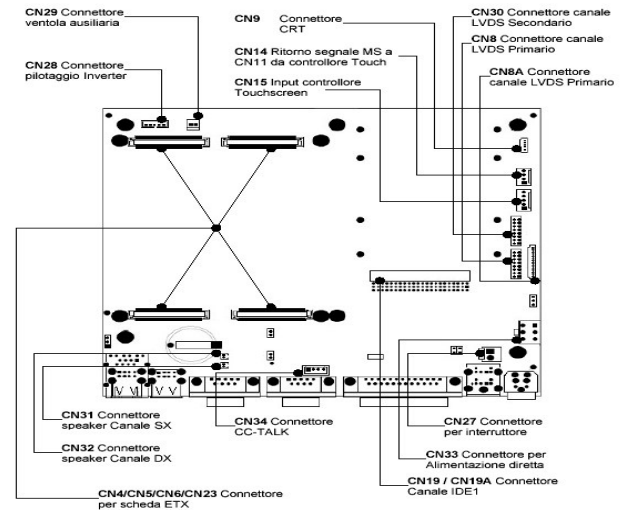
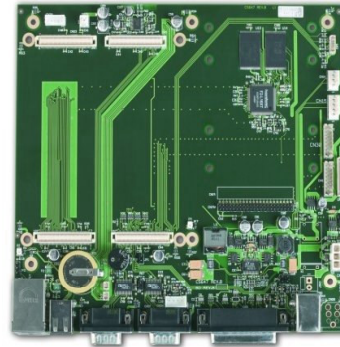
The M647R is a compact baseboard designed to be an easy solution for the use of ETX modules. The M647R ETX motherboard offers the possibility to use the serial COM2 port, through the CN34 inner connector, as an interface for peripherals that use the CC-Talk protocol type, making so this board suitable also to those fields that demand automated and sure monetary transitions, like as an example the field of the gaming and gambling.

The M647R baseboard for ETX modules is supplied with a compact mass storage device (DOM) soldered on board in different sizes (up to 1 GB).

The mass storage can be widened with an optional 2 1/2" standard Hard Disk.

The M647R baseboard offers the most common peripherals supported by ETX modules.

Moreover offers the possibility to integrate your system with a Touch Screen Controller, making your system able to support all kind of applications. The board can receive +12 Volt power supply directly through a Molex® Minifit connector or through a Kycon® KPJX-4S connector plus relay and remote power button.



TECHNICAL SPECIFICATIONS

ON BOARD CONNECTORS:

■ Molex Minifit Connector for direct power supply or Kycon KPJX-4S Connector for remote button and relay;

■ 2.5" HDD Connector;

■ 3 x LVDS Connectors;

■ 2 x Connectors for optional Touch Screen Controller;

■ Connector for eventual TFT inverter;

■ Connector for 12VDC fan;

■ 6 Pins Connector for VGA;

■ 4 Pins Connector for CC-Talk protocol;

■ 2 x Speaker Ports;

FRONT PANEL CONNECTORS:

■ PS/2 Mouse and Keyboard Connector;

■ 4 x Type A USB Connectors

■ Ethernet RJ-45 Port;

■ 2 x COM DB9 Serial Port Connectors (all full modem)

■ LPT DB25 Parallel Port Connector;

■ Dimensions: 196*177 mm (7.7"x7")

ORDERING INFORMATION

Part Number	Description
M647R-A1	ETX Baseboard, No Flash Disk on board, Ext. Power Supply, button and relay
M647R-A2	ETX Baseboard, No Flash Disk on board, Direct Power Supply
M647R-B1	ETX Baseboard, 256MB Flash Disk on board, Ext. Power Supply, button and relay
M647R-B2	ETX Baseboard, 256MB Flash Disk on board, Direct Power Supply
M647R-C1	ETX Baseboard, 512MB Flash Disk on board, Ext. Power Supply, button and relay
M647R-C2	ETX Baseboard, 512MB Flash Disk on board, Direct Power Supply